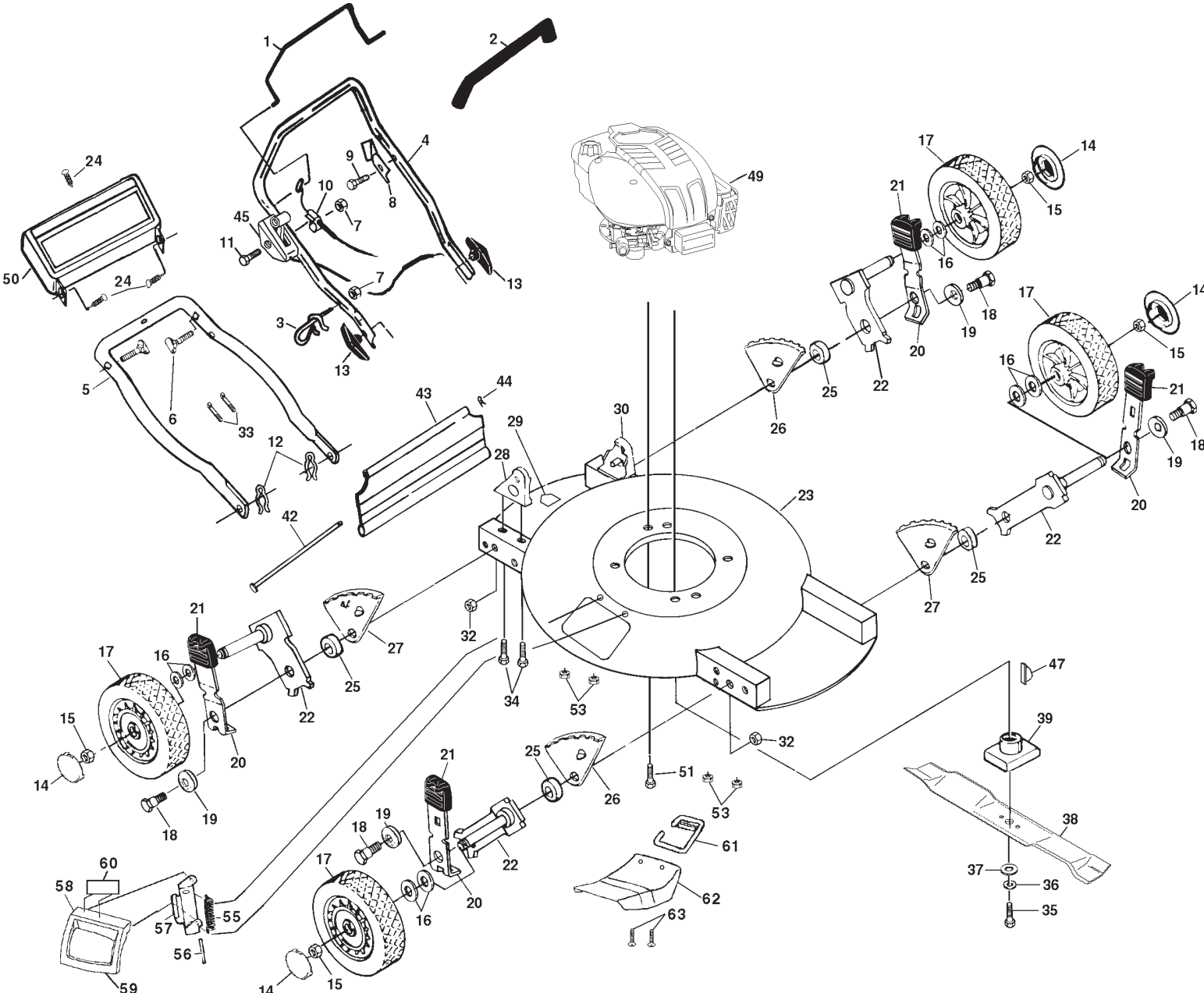


REPAIR PARTS

ROTARY LAWN MOWER - - MODEL NO. 510md (954140052A)



REPAIR PARTS

ROTARY LAWN MOWER - - MODEL NO. 510md (954140052A)

15

KEY NO.	PART NO.	DESCRIPTION	KEY NO.	PART NO.	DESCRIPTION
1	532850735	Control Bar	34	532149741	Thread Cutting Screw 5/16-18 x 3/4
2	532155890	Handle Grip	35	532851084	Hex Head Screw 3/8-24 x 1-3/8
3	532132001	Rope Guide	36	532850263	Helical Lockwasher 3/8
4	532153817	Upper Handle	37	532851074	Hardened Washer
5	532157082	Lower Handle	38	532145106	20" Blade
6	532131959	Handle Bolt 5/16-18 x 1-3/4	39	532851514	Blade Adapter
7	532063601	Locknut 1/4-20	42	532150984	Deflector Rod
8	532125162	Up-Stop Bracket	43	532150985	Rear Deflector
9	532750097	Hex Washer Head Screw #10-24 x 1/2	44	532700279	Retainer Clip
10	532700892	Engine Zone Control Cable	45	532700644	Throttle Control
11	532144929	Hex Washer Head Screw 1/4-20 x 2.12	49	-----	* Engine - Briggs Model No. 121602
12	532051793	Hairpin Cotter	50	532157070	Trim Plate
13	532136376	Handle Knob	51	532150406	Hex Head Screw, Self Tap. 3/8 - 16 x 1.1
14	532008508	Hubcap	53	532063601	Locknut
15	532083923	Hex Locknut 3/8-16	55	532152124	Torsion Spring
16	532057143	Washer	56	532147286	Hinge Rod
17	532800372	Wheel & Tire Assembly	57	532087593	Housing Assembly Bracket
18	532142748	Shoulder Bolt	58	532154829	Mulcher Door
19	532062335	Belleville Washer	60	532140648	Decal
20	532125066	Selector Spring	61	532751399	Chute Mounting Bracket
21	532701037	Selector Knob	62	532752118	Mulcher Deflector
22	532151254	Axle Arm Assembly	63	874180410	Truss Head Screw
23	532141934	Lawn Mower Housing (Includes Key No. 29)	--	532162296	Owner's Manual (English/French)
24	532701477	Push-in Fastener	--	532157092	Decal (Housing)
25	532146630	Spacer	--	532162325	Engine (Decal)
26	532800370	Wheel Adjusting Bracket (R.F./L.R.)			
27	532800368	Wheel Adjusting Bracket (L.F./R.R.)			
28	532153026	Handle Bracket Assembly (Right)			
29	532107339	Danger Decal			
30	532153027	Handle Bracket Assembly (Left)			
32	532751592	Locknut 3/8-16			
33	532066426	Wire Ties			

* These parts must be purchased through an authorized Briggs & Stratton dealer.